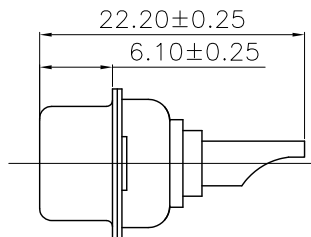
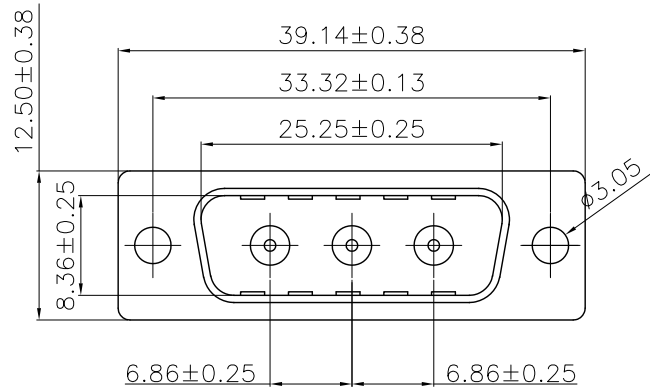


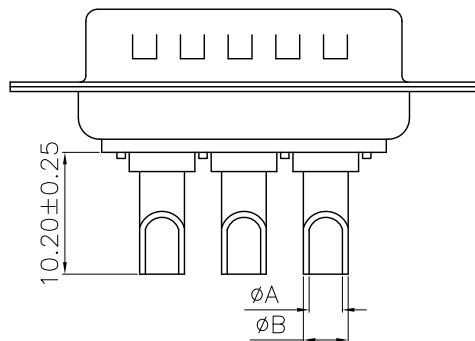


REVISIONS				
LTR	DESCRIPTION	DATE	DWN	APVD
A	RELEASED	01Jan16	AW	WK



## NOTE:

- MATERIALS AND FINISHED  
INSULATOR : PBT+30% GF UL 94V-0,  
SHELL : STEEL, NI OR SN FINISHED  
CONTACT MATERIAL : COPPER ALLOY, GOLD FINISHED
- ELECTRICAL CHARACTERISTICS  
CURRENT RATING : REFER TO FOLLOW CHART  
VOLTAGE RATING: 300 V DC  
CONTACT RESISTANCE : 20 MILLIOHMS MAX.  
DIELECTRIC WITHSTANDING VOLTAGE : 1000 V AC MIN.  
INSULATION RESISTANCE : 5000 MEGAOHMS MIN.
- ENVIRONMENTAL  
OPERATING TEMPERATURE: -55°C ~ +85°C  
STORAGE TEMPERATURE: -55°C ~ +105°C



YL013-004-004	40 AMPS	̸4.6	̸5.5
YL013-004-003	30 AMPS	̸3.4	̸4.4
YL013-004-002	20 AMPS	̸2.6	̸3.6
YL013-004-001	10 AMPS	̸1.75	̸2.54
PART NO.	Current Rating	̸A	̸B
		Dimension	

THIS DRAWING IS A CONTROLLED DOCUMENT.		DWN A. WU	01Jan2016	东莞市宇亮电子有限公司 DONG GUAN YU LIANG ELECTRONICS CO., LTD	
DIMENSIONS: mm		CHEK S. CHIEN	01Jan2016		
TOLERANCES UNLESS OTHERWISE SPECIFIED:		APVD Abel	01Jan2016	NAME DH 高电流3W3公头焊线式, 全金3U黑胶, 铆合光孔	
THIRD ANGLE PROJECTION		PRODUCT SPEC —	—	SIZE A4	DRAWING No. Y=YL013-004
ANGLES ± 3°		WEIGHT —	—	CUSTOMER DRAWING	
			SCALE 1 : 1	SHEET 1 of 1	